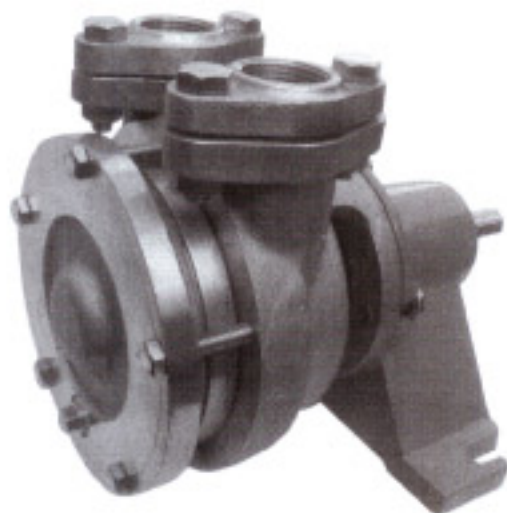


Self-priming Pumps BUS-RBU-RBUF



The BUS-RBU family is a range of horizontal single stage, side-channel pumps operating according to the impulse principle. The pumps are self-priming and have a large air displacing capacity.

Applications

The BUS-RBU pumps are suitable for pumping pure, clean liquid without solid particles. The pumps can handle small amount of clean liquids at relatively large discharge head. The pump finds application in hydrophore installation, spraying installation and other process installation.

- Volatile solvents like methanol, acetone
- Petrol, kerosene, gas oil, diesel oil
- DM water
- Gas bearing water
- Fruit juices, syrup

Range

Capacity	: BUS-RBU 25 : max. 3.6 m ³ /h
	BUS-RBU 49 : max. 5.1 m ³ /h
Head	: max. 90 m
Liquid temperature	: max. 105°C
RPM	: max. 3600

Materials

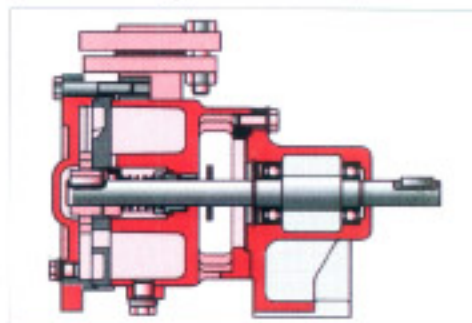
	BUS	RBU
Pump casing	Cast Iron/Bronze	Cast steel/ Stainless steel
Impeller	Brass	Cast steel/ Stainless steel
Pump shaft	Stainless steel 431/ 316	Stainless steel 431/ 316

Features

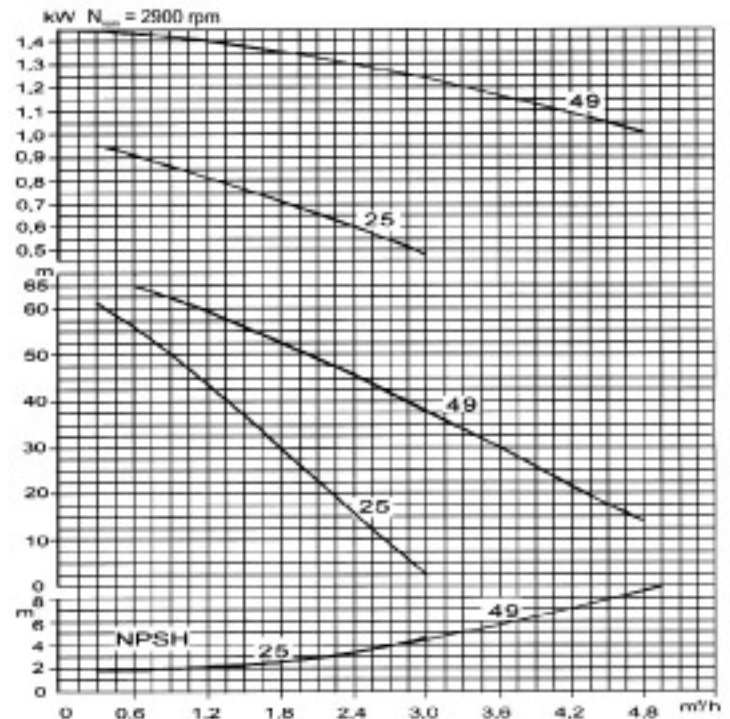
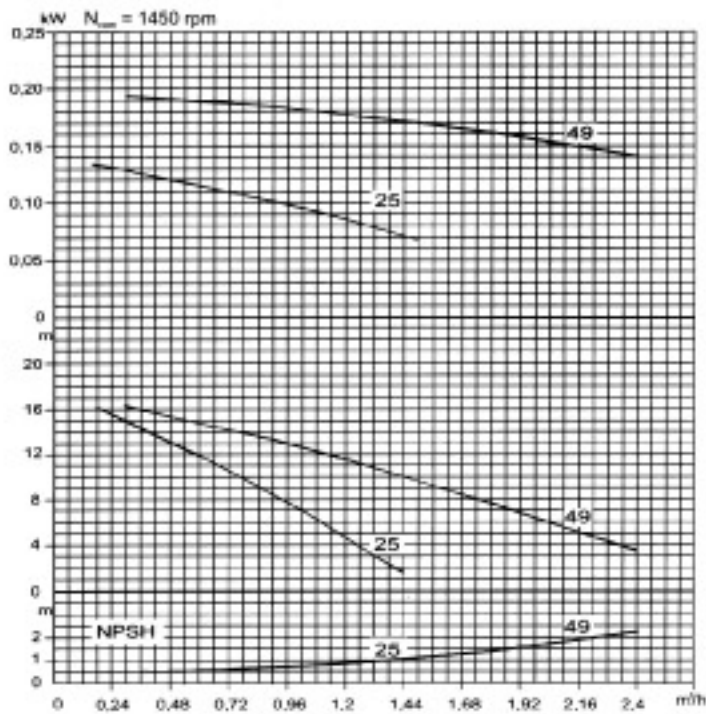
- Compact and robust construction
- Self-priming up to 7 m at all speeds
- High interchangeability
- Soft packed or with mechanical seal
- Coupled or mono-block version
- Available with A.C or D.C motor
- Easy maintenance

Design

- Steep performance characteristics result in slight change in flow when discharge head changes
- Suction and discharge directed upward with G1" threads
- Counter flanges are delivered as standard
- Impeller is vaned wheel with perpendicular radial vanes
- Laminated labyrinth seal and a splash ring protects bearing from dirt and liquid



Performance data



RBUF



BUS



Manufactured by:



Johnson Pump (India) Limited

Ahmedabad. In collaboration with Johnson Pump AB, Sweden.
The company reserves the right to change any specifications without prior notice.



Exclusively marketed by:

A.T.E. Marketing Private Limited

A - 19, CTS No. 689, Veera Desai Road, Andheri West, Mumbai - 400 053.

Tel.: 022 6676 6100. Fax: 022 2673 2446. E Mail: pumps@ateindia.com Website: www.ateindia.com



Regional offices:

AHMEDABAD
Mistry Chambers,
Khanpur - 380 001.
Tel.: 079 - 2560 0662.
Fax: 079 - 2560 0145.
E Mail: ate_ahd@ateindia.com

BANGALORE
No. 6, Rose Lane,
Richmond Town - 560 025.
Tel.: 080 - 5114 4144.
Fax: 080 - 2212 3544.
E Mail: ate_bg@ateindia.com

CHENNAI
No. 2, 4th Street,
Karpagam Avenue - 600 028.
Tel.: 044 - 2461 4534.
Fax: 044 - 2461 4998.
E Mail: ate_chennai@ateindia.com

KOLKATA
Utsarga, 2nd Floor,
220/1, Hemanta Mukhopadhyay
Sarani - 700 029.
Tel.: 033 - 2465 9606.
Fax: 033 - 2405 9620.
E Mail: ate_kol@ateindia.com

NEW DELHI
504 - 505, 510,
Suneja Towers II, District Centre,
Janakpuri - 110 058.
Tel.: 011 - 2550 7012.
Fax: 011 - 2550 7909.
E Mail: ate_delhi@ateindia.com